



GOST

### Special Features

- Solid front thermoplastic case
- Accuracy  $\pm 0.5\%$  F. S.
- Excellent load cycle stability & shock resistant
- Wetted parts AISI 316L
- Standard followed ASME - B 40.100

### Application

- Suitable for chemical / petrochemical, power stations, mining, on and offshore, mechanical engineering and plant engineering.
- Suitable for corrosive environment and gaseous or liquid media that will not obstruct the pressure system.
- With liquid filled case with high dynamic pressure pulsations or vibrations.

### Specifications

#### Standard Version : ( 4 ½ ")

Accuracy	:	$\pm 0.5\%$ F. S. (As per ASME B40.100)
Ambient temperature	:	- 20°C to + 65°C
Process temperature	:	Max 200° C
Operating pressure range	:	75 % of Scale Value
Over pressure limit	:	$\leq 100$ bar : 125% of Max. Scale Value
	:	$> 100$ to $\leq 600$ bar : 115% of Max. Scale Value
	:	$> 600$ to $\leq 1600$ bar : 110% of Max. Scale Value

Case	:	Black Glass Reinforced Thermoplastic (PBTP)
Bourdon	:	AISI 316L SS
Socket	:	AISI 316L SS
Movement	:	AISI 304 SS
Joints	:	Tig Argon Arc Welding

Protection	:	IP 65
Dial	:	Aluminum, black graduation on white background
Pointer	:	Aluminum, black Coloured, Micrometer Zero Adjustable
Window	:	Shatterproof / Safety Glass
Blow Off Disk	:	Black Glass Reinforced Thermoplastic (PB TP)
Gasket	:	Neoprene

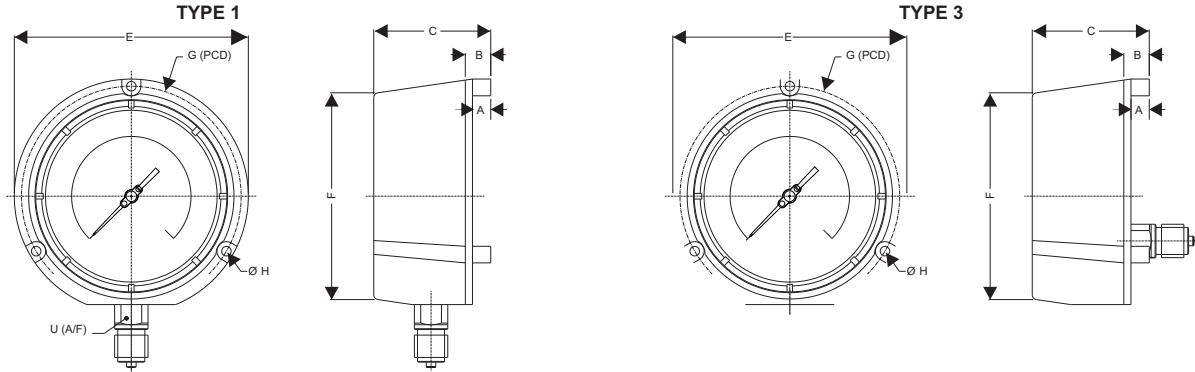
#### Glycerine filled version (option PY)

Accuracy	:	$\pm 1.0\%$ of F. S.
Ambient Temperature	:	Maximum 65°C
Process Temperature	:	Maximum 65°C
Window	:	Plexi Glass
Dampening Liquids	:	Glycerine 99.7%
Other Features	:	Refer Specification of Standard Version

#### Temperature effect :

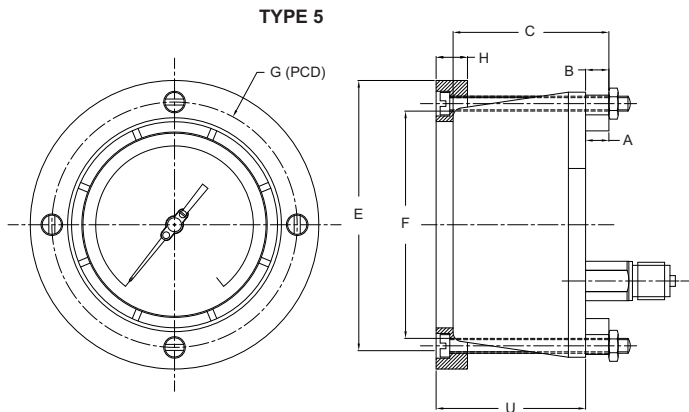
The variation of indication caused by effects of temperature is to be calculated by below formula; which is to be added in the specified accuracy while measurement :- Formula :  $\pm 0.04 \times (t_2 - t_1)$  % of F. S. where  $t_1$  = reference temperature (+20°C) and  $t_2$  = ambient temperature in °C.

**Dimensions - standard version**



NS	A	B	C	E	F	G	H	U	Weight in gram (With Box)	Weight in gram (With Glycerin & Box)
4 1/2"	13	25	84	148	129	137	6	22	950.0	1250.0

NS	A	B	C	E	F	G	H	U	Weight in gram (With Box)
4 1/2"	13	25	84	148	129	137	6	22	925.0



NS	A	B	C	E	F	G	H	U	Weight in gram (With Box)
4 1/2"	13	25	84	148	129	137	12.5	74	1150.0

- Notes :
- Drawings are not to scale.
  - All Dimensions are in mm.
  - NS = Nominal Size
  - H - Arrangement for Mounting type 1
  - Weights mentioned are approximate and for standard product. Weight can be different after selection of options.

**Range Table**

Note : We offer National / International Scales like kPa, MPa, bar, psi, kg/cm<sup>2</sup> & Dual Scale like kPa with psi, kPa with bar, bar with psi or Equivalent scales as per the requirement can be provided on request. Following are the example tables for kg/cm<sup>2</sup> & psi scales

**Pressure range**

**Single scale (kg/cm<sup>2</sup> or bar)**

0/0.6	0/4	0/25	0/160	0/1000
0/1	0/6	0/40	0/250	0/1600
0/1.6	0/10	0/60	0/400	
0/2.5	0/16	0/100	0/600	

**Dual scale (kg/cm<sup>2</sup> with psi)**

psi	kg/cm <sup>2</sup>	psi	kg/cm <sup>2</sup>	psi	kg/cm <sup>2</sup>
0/15	0/1	0/400	0/28	0/4000	0/280
0/30	0/2	0/500	0/35	0/5000	0/350
0/60	0/4	0/600	0/40	0/6000	0/400
0/100	0/7	0/1000	0/70	0/10000	0/700
0/150	0/10	0/1500	0/100	0/15000	0/1000
0/220	0/16	0/2200	0/160	0/22000	0/1600
0/300	0/20	0/3000	0/200		

### Range Table

#### Vacuum & compound range

Dual scale					
inHg with psi	mmHg with kg/cm <sup>2</sup>	inHg with psi	mmHg with kg/cm <sup>2</sup>	inHg with psi	mmHg with kg/cm <sup>2</sup>
- 30/0	- 760 / 0	- 30/60	- 760 / 3	- 30/200	- 760 / 15
- 30/15	- 760 / 1	- 30/100	- 760 / 6	- 30/300	- 760 / 20
- 30/30	- 760 / 2	- 30/150	- 760 / 9	- 30/350	- 760 / 24
Single scale (kg/cm <sup>2</sup> )					
- 1/0		- 1/1.5		- 1/5	- 1/15
- 1/0.6		- 1/3		- 1/9	- 1/24

#### Accessories (refer datasheet for complete specifications)

<b>EB</b>	Cooling tower	*	Needle valve
<b>EC</b>	Gauge cock	<b>EG</b>	Snubber
<b>ED</b>	Over load protector (gauge saver)**	<b>EH</b>	Siphon

\* Refer catalogue for Valves & Manifolds.      \*\* For Pressure Ranges.

### How To Order

### Example

<b>Basic Model</b>				AE
<b>Code</b>				
<b>Nominal Size</b>		<b>G</b>		X
		4 1/2"		
<b>Type of Mounting</b>				
1	Wall / surface / projection mounting with bottom entry			X
3	Direct lower back entry			
5	Lower back entry with front flange			
<b>Gauge connection</b>				
<b>4BM</b>	1/2" BSP (M) Standard	<b>2NM</b>	1/4" NPT (M) Standard	XXX
<b>4NM</b>	1/2" NPT (M) Standard	<b>3NM</b>	3/8" NPT (M)	
Note : Connections like Metric/ PT/ PF/ Flaired/ UNF/ G/ R etc can be provided on request.				
<b>Range</b>	Refer range table			0/10 kg/cm <sup>2</sup>
<b>Optional extras</b>				
<b>TI</b>	Monel bourdon & socket (Monel version)**	<b>TF</b>	Conformity as per NACE Standard	XX
<b>PW</b>	Five point calibration certificate	<b>SF</b>	Movement with dampening jelly	
<b>PU</b>	Calibration certificate traceable to National/ International standards	<b>QB</b>	Integral dampening screw (AISI 316 SS)	
<b>RH</b>	Custom designed dial	<b>FL</b>	Integral dampening screw (Monel)**	
<b>SG</b>	Oxygen service (for dry version)	<b>RR</b>	Enclosure protection IP 66	
<b>SW</b>	Dial tag marking	<b>ZL</b>	Over range protection 150% of F. S.	
<b>SX</b>	SS tag plate	<b>RW</b>	Plexi glass	
<b>TB</b>	Helium leak test	<b>GH</b>	Material test certificates***	
		<b>SD</b>	AISI 316 SS movement	

\*\*Integral dampening screw will be in monel if ordered. Refer option FL.

\*\*\*Material test certificates will be provided for wetted parts only with chemical composition testing. For others, please consult factory.

**Ordering Example: AE . X . X . XXX . 0/10 kg/cm . XX**

For other optional items, please contact factory for delivery and minimum quantity of order.