



GOST

Special Features

- External zero adjustment (optional)
- Solid Front design features baffle wall interposed between the sensing system & the window, and a Pressure relieving back for increased safety.
- Dry or fillable version.
- Accuracy $\pm 0.5\%$ F. S. (optional)
- Stainless steel blow off back
- Standard followed EN 837-1

Application

- Suitable for high pressure gas
- Corrosive / hazardous Environment that will not obstruct the pressure system.

Specifications

Standard Version : 100 mm & 150 mm

| | | |
|--------------------------|---|-------------------------------------------------------|
| Accuracy | : | $\pm 1.0\%$ of F. S. |
| Ambient temperature | : | - 20°C to + 65°C |
| Process temperature | : | Max 300°C |
| Operating pressure Range | : | 75 % of Scale Value |
| Over pressure limit | : | ≤ 100 bar : 125% of Max. Scale Value |
| | : | > 100 to ≤ 600 bar : 115% of Max. Scale Value |
| | : | > 600 to ≤ 1600 bar : 110% of Max. Scale Value |

| | | |
|--------------|---|----------------------------------------|
| Case & Bezel | : | AISI 304 SS (Bayonet Type) |
| Bourdon | : | AISI 316L SS |
| Socket | : | AISI 316L SS (Directly welded to case) |
| Movement | : | AISI 304 SS |
| Joints | : | Tig Argon Arc Welding |

| | | |
|-----------------------|---|-----------------------------------------------------|
| Protection | : | IP 65 |
| Dial | : | Aluminum, black graduation on white background |
| Pointer | : | Aluminum, black Coloured Micrometer Zero Adjustable |
| Window | : | Shatterproof / Safety Glass |
| Blow off Disc | : | AISI 304 SS |
| Gasket & Filling Plug | : | Neoprene |

Dry but fillable version (option FG)

| | | |
|---------------------------|---|-----------------------------------------|
| Fillable Dampening Liquid | : | Glycerine 99.7% |
| Ambient Temperature | : | Maximum 65°C |
| Process Temperature | : | Maximum 65°C |
| Window | : | Shatterproof / Safety glass |
| Other Features | : | Refer specification of standard version |

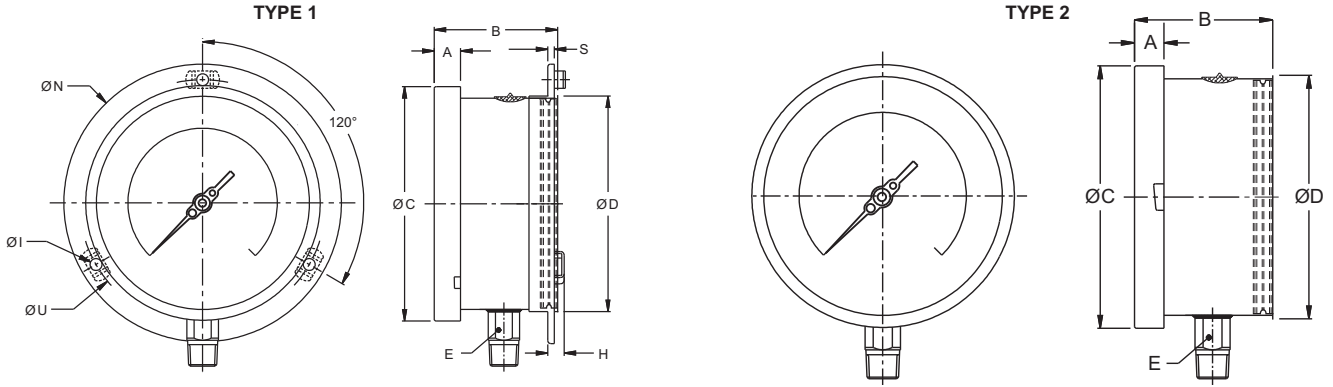
Glycerine filled version (option PY)

| | | |
|---------------------|---|-----------------------------------------|
| Accuracy | : | $\pm 1.0\%$ of F. S. |
| Ambient Temperature | : | Maximum 65°C |
| Window | : | Shatter proof / Safety glass |
| Dampening Liquids | : | Glycerine 99.7% |
| Other Features | : | (Others available as option) |
| | : | Refer specification of standard version |

Temperature effect :

The variation of indication caused by effects of temperature is to be calculated by below formula; which is to be added in the specified accuracy while measurement :- Formula : $\pm 0.04 \times (t_2 - t_1) \%$ of F. S. where t_1 = reference temperature (+20°C) and t_2 = ambient temperature in °C.

Dimensions - standard version



| NS | A | B | ØC | ØD | E | ØN | ØU | H | ØI | S | Weight in gram (With Box) | Weight in gram (With Glycerin & Box) |
|-----|------|----|-----|-----|----|-----|-----|----|----|---|------------------------------|-----------------------------------------|
| 100 | 12.5 | 70 | 111 | 100 | 22 | 134 | 76 | 15 | 6 | 1 | 860.0 | 1170.0 |
| 150 | 15 | 70 | 161 | 149 | 22 | 186 | 118 | 15 | 6 | 1 | 1440.0 | 2230.0 |

| NS | A | B | ØC | ØD | E | Weight in gram (With Box) | Weight in gram (With Glycerin & Box) |
|-----|------|----|-----|-----|----|------------------------------|-----------------------------------------|
| 100 | 12.5 | 70 | 111 | 100 | 22 | 760.0 | 1070.0 |
| 150 | 15 | 70 | 161 | 149 | 22 | 1300.0 | 2090.0 |

- Notes :
- Drawings are not to scale.
 - All Dimensions are in mm
 - NS = Nominal Size
 - Weights mentioned are approximate and for standard product.
 - Weight can be different after selection of options.

Range Table

Note : We offer National / International Scales like kPa, MPa, bar, psi, kg/cm² & Dual Scale like kPa with psi, kPa with bar, bar with psi or Equivalent scales as per the requirement can be provided on request. Following are the example tables for kg/cm² & psi scales

Range with nominal sizes

Single scale (kg/cm² or bar)

| | | | | |
|-------|------|-------|-------|--------|
| 0/0.6 | 0/4 | 0/25 | 0/160 | 0/1000 |
| 0/1 | 0/6 | 0/40 | 0/250 | 0/1600 |
| 0/1.6 | 0/10 | 0/60 | 0/400 | |
| 0/2.5 | 0/16 | 0/100 | 0/600 | |

Dual scale (psi with kg/cm²)

| psi | kg/cm ² | psi | kg/cm ² | psi | kg/cm ² |
|-------|--------------------|--------|--------------------|---------|--------------------|
| 0/15 | 0/1 | 0/400 | 0/28 | 0/4000 | 0/280 |
| 0/30 | 0/2 | 0/500 | 0/35 | 0/5000 | 0/350 |
| 0/60 | 0/4 | 0/600 | 0/40 | 0/6000 | 0/400 |
| 0/100 | 0/7 | 0/1000 | 0/70 | 0/10000 | 0/700 |
| 0/150 | 0/10 | 0/1500 | 0/100 | 0/15000 | 0/1000 |
| 0/220 | 0/16 | 0/2200 | 0/160 | 0/22000 | 0/1600 |
| 0/300 | 0/20 | 0/3000 | 0/200 | | |

Range Table

Vacuum & Compound range

| Dual scale | | | | | |
|------------------------------------------|------------------------------|---------------|------------------------------|---------------|------------------------------|
| inHg with psi | mmHg with kg/cm ² | inHg with psi | mmHg with kg/cm ² | inHg with psi | mmHg with kg/cm ² |
| - 30/0 | - 760 / 0 | - 30/60 | - 760 / 4 | - 30/200 | - 760 / 14 |
| - 30/15 | - 760 / 1 | - 30/100 | - 760 / 7 | - 30/300 | - 760 / 21 |
| - 30/30 | - 760 / 2 | - 30/150 | - 760 / 10 | | |
| Single scale (kg/cm ² or bar) | | | | | |
| - 1/0 | | - 1/1.5 | | - 1/5 | - 1/15 |
| - 1/0.6 | | - 1/3 | | - 1/9 | - 1/24 |

Accessories (Refer datasheet for complete specifications)

| | |
|----------------------------------------------|-----------------------|
| EB Cooling tower | * Needle valve |
| EC Gauge cock | EG Snubber |
| ED Overload protector (gauge saver)** | EH Siphon |

* Refer catalogue for Valves & Manifolds

** For Pressure Ranges.

How To Order

Example

| | | | | | |
|------------------------------------------------------------------------------------------------|----------------------------------------------------------------------------|------------|-------------------------|--------------------------------------------|---------------------------------------------------------------------------------------------------------------------------------------|
| Basic Model | | | | | AI X X X XXX 0/10 XX kg/cm ² |
| Code | | | | | |
| Nominal Size | | | F | H | |
| | | | 100 mm | 150 mm | |
| Type of Mounting | | | | | |
| 1 | Wall/ surface/ projection mounting with bottom entry | | 6 | 2" pipe / yoke mounting with bottom entry* | |
| 2 | Direct bottom entry | | | | |
| * MOC of bracket and 'U' clamp will be steel (painted). Ask factory for drawings, if required. | | | | | |
| Gauge Connection | | | | | |
| 3BM | 3/8" BSP (M) | 4BM | 1/2" BSP (M) (Standard) | 4NM | |
| | | | | 4MM | M20 x 1.5 (M) |
| Note : Connections like Metric/ PT/ PF/ Flaired/ UNF/ G/ R etc can be provided on request. | | | | | |
| Range | | | | | |
| Refer range table | | | | | |
| Optional extras | | | | | |
| OA | Accuracy ± 0.5% OF F. S. (dry version & except maximum reading pointer) | | SX | SS Tag plate | |
| TI | Monel bourdon & socket (Monel version)**# | | SW | Dial tag marking | |
| FL | Integral dampening screw (Monel)# | | TB | Helium leak test | |
| FS | Fillable liquid silicon oil* | | TF | Conformity as per NACE Standard | |
| FG | Fillable liquid glycerine | | PW | Five point factory calibration certificate | |
| PY | Dampening liquid glycerine filled | | SG | Oxygen service (for dry version) | |
| QA | Dampening liquid silicon oil filled* | | RH | Custom designed dial | |
| RW | Plexi glass | | QB | Integral dampening screw (AISI 316 SS) | |
| SF | Movement with dampening jelly | | SA | Internal over pressure stop | |
| RR | Enclosure protection IP 66 | | SB | Internal vacuum stop | |
| RE | Enclosure protection IP 67 | | PS | AISI 316 SS case & bezel | |
| PU | Calibration certificate traceable to National/ International standards | | SD | AISI 316 SS movement | |
| GH | Material test certificates*** | | KA | On - off type vent plug | |
| | | | ZL | Over range protection 150% of F. S. | |
| | | | EZ | External zero adjustment | |

*Gasket & Filling plug of Viton. *** Material test certificates will be provided for wetted parts only with chemical composition testing.

For others, please consult factory. # Integral dampening screw will be in monel if ordered. Refer option FL.

Ordering Example: AI . X . X . XXX . 0/10 kg/cm² . XX

For other optional items, please contact factory for delivery and minimum quantity of order.

Note : Specifications and dimensions given in this product catalogue represents the state of engineering at the time of printing.

Modifications may take place and materials specified may be replaced by others without prior notice.